

TG2Z3514FCS-2

VARI FOCAL 2X 3.5 ~ 8.0 mm F1.4

for 1/3" format cameras

CS-Mount

with Focus, w/o Amplifier

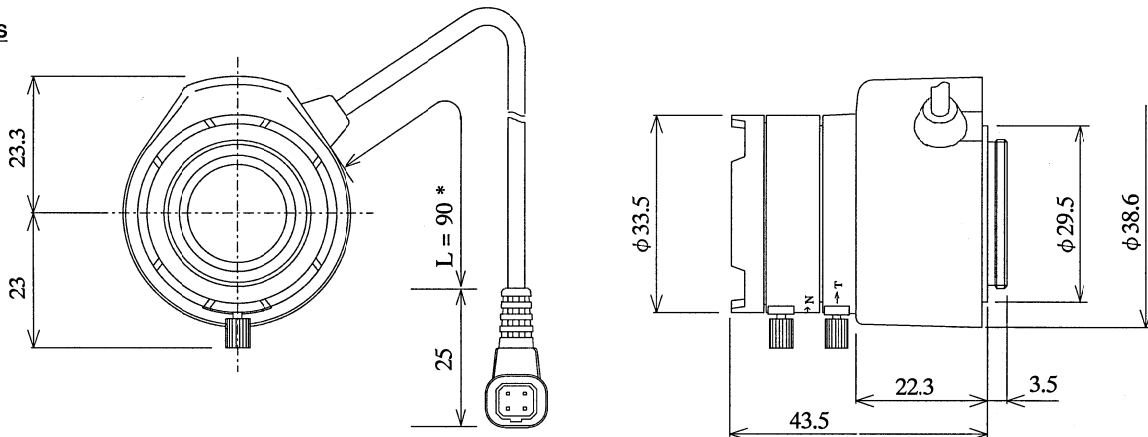
Model No.	TG2Z3514FCS-2		Effective	Front	φ 16.6 mm
Focal Length	3.5 ~ 8 mm		Lens Aperture	Rear	φ 9.0 mm
Max. Aperture Ratio	1 : 1.4		Back Focal	Tele	13.1 mm
Max. image format size	4.8 x 3.6 mm (φ 6 mm)		Length	Wide	8.3 mm
Operation	Iris	Auto Iris F1.4 ~ 360	Flange Back	12.5 mm	
	Focus	Manual, 0.4 m ~ Inf.	Mount	CS-Mount	
	Zoom	Manual, 3.5 ~ 8 mm	Front Filter Size	-	
Object Dimension	3.5 mm	64.3 x 43.9 cm	Out Side Dimension	φ 33.5 x 42.6 x 43.5 mm	
	at M.O.D. 8.0 mm	25.5 x 18.9 cm	Weight	48 g	
Angle of View	D	97.9° ~ 44.3°			
	H	1/3" 77.6° ~ 35.4°			
	V	57.6° ~ 26.6°			
Coil	Drive	190 ohm			
	Control	855 ohm			
Operating Temperature	-20° C ~ +50° C				

1/3

CS

M.O.D. : Minimum Object Distance

Dimensions

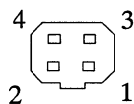


* : 310mm cable is available

AG

Z

Wiring Diagram



Pin No.

1	Brown	Control (-)
2	Red	Control (+)
3	Yellow	Drive (+)
4	Orange	Drive (-)

SP