

TG3Z2710FCS

VARI FOCAL 3X 2.7~8mm F1.0

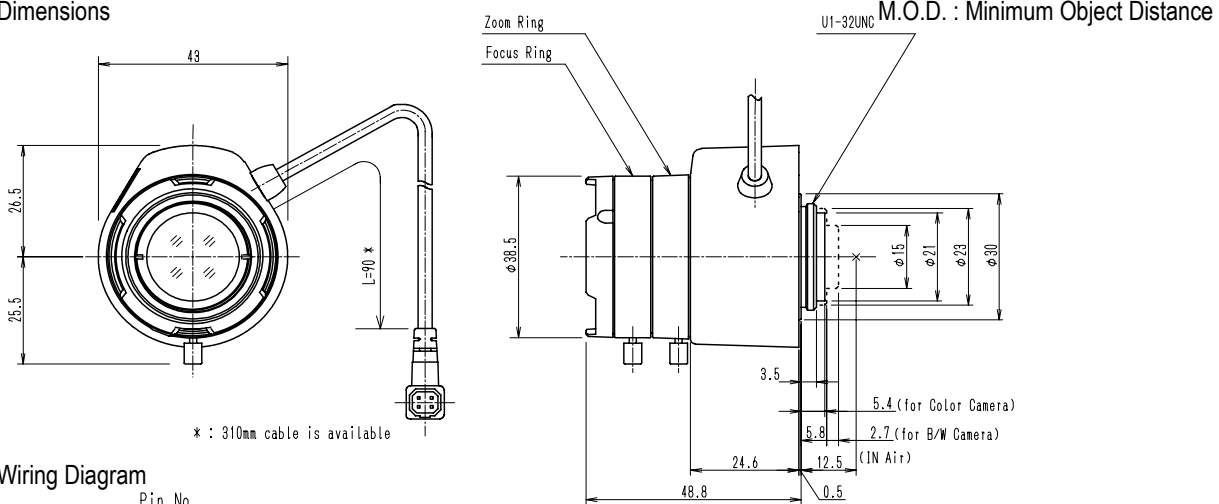
for 1/3"format cameras

CS-Mount

with Focus, w/o Amplifier

Model No.	TG3Z2710FCS		Effective	Front	φ19.4mm	1/3
Focal Length	2.7 ~ 8mm		Lens Aperture	Rear	φ 9.8mm	
Max. Aperture Ratio	1 : 1.0		Back Focal Length	Tele	15.7mm	CS
Max. Image Format	4.8 x 3.6mm (φ6mm)			Wide	8.0mm	
Operation Range	Iris	F1.0 ~ 360	Flange Back Length		12.5mm	
	Focus	0.3m ~ Inf.	Mount		CS-Mount	
	Zoom	2.7 ~ 8 mm	Filter Size		M37.5 P=0.5mm	
Control	Iris	Auto Iris	Dimensions		φ38.5 x 47.5 x 48.8mm	
	Focus	Manual	Weight		65g	
	Zoom	Manual				
Object Dimension at M.O.D.	2.7 mm	71.5 × 45.0cm				
	8 mm	19.6 × 14.4cm				
Angle of View	D	128~45.2°				
	H	100.0~36.2°				
	V	73.8~27.0°				
Coil	Drive	190 ohm				
	Control	850 ohm				
Operating Temperature	-20°C ~ +50°C					AG

Dimensions



Wiring Diagram



1/3

CS

AG

Z

SP