



INDUSTRIAL CONTROL SOLUTIONS

Handy-Grips® Ergo-Grips® Joystick Bases

P.O. Box 23801
Portland, Or 97281-3801

7943 SW Cirrus Dr.
Beaverton, Or 97008

1-800-621-8754

Handy-Grip *series*



1201 - RB

Cyber-Tech, Inc. 1201-RB Handy-Grip Series handle is a time tested low cost grip that can be adapted for many applications with up to 9 AC or DC Functions.

The 1201-RB is a die cast aluminum, powder coated handle that is of course backed with our lifetime guarantee. With easy field maintenance being a must, the switch plate is removable without disassembling the housing. The 1201-RB can be sealed to fit most IP rated applications and will also fit all joysticks on the market.

The 1201-RB comes standard with Cyber-Tech, Inc's long life SPDT pushbuttons and is available with up to 6 switches and 3 triggers. Our "soft touch" pushbuttons will please your operators and the unit has been designed for both right and left hand operations so the grip will not limit your application.

Cyber-Tech, Inc. offers a variety of options and accessories available to help make our products meet your specific requirements. Along with multiple switching, special wiring, LED's, rockers, custom faceplates and adaptors the 1201-RB can be customized to fit your special application. If you don't see what you're looking for please call our knowledgeable sales staff and we will be happy to help assist you on your requirements.

www.cyber-tech.net

Mechanical Specifications

Dimensions: 16.51 cm x 10.16 cm x 8.255 cm (6.5 in x 4.0 in x 3.250 in) (L x W x D)

Weight: 0.50 LBS (231 Grams)

Material: Aluminum

Mounting Thread: female 1/2—13 NPT

Enclosure type: Single piece

Electrical Specifications

Switching: 0, 1, 2, 3, 4, 5, 6 functions

Trigger: 0, 1 function or 1 single 2 stage function

Standard Switches: Soft touch Mom pushbutton

Switch Rating: 120vac @ 5 amps , 30vdc @ 5 amps

Switch Life: 10,000,000 cycles

Switch Locations

1201-RB is shown with all switch locations.

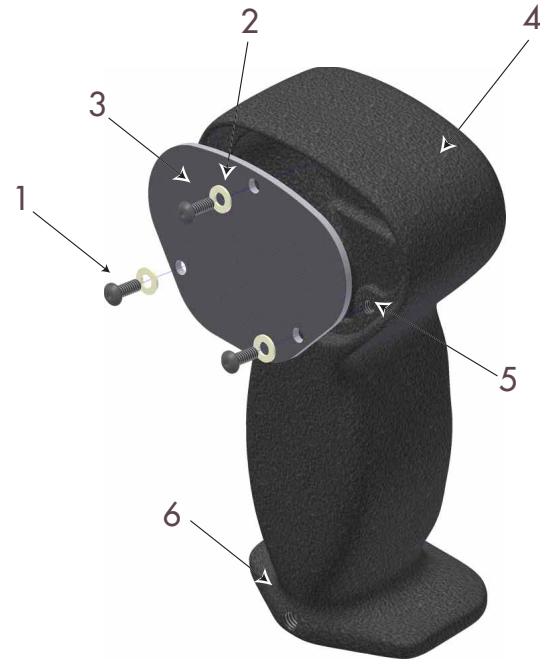
Handle is configured at time of order and machined accordingly. Custom switch location can be added per your layout request.



CYBER·TECH, Inc.

Control Handle Breakdown

LOCATION	PART #	DESCRIPTION
1	99-SC-6-32x3/8-BH	Button Head Cap Screw
2	99-W-6-N	Nylon Washer
3A	66-A21502-02	1201-RB Blank Faceplate
3C	64-A61931-00	Custom Layout
4A	69-A80431-01	1201-RB Housing
4B	69-A80431-02	1201-RB With Trigger Housing
5	33-R-960144-01A	1201-RB Gasket
6	99-SS-.25x3/16-FH	Set Screw



Note: A detail parts breakdown example of your Custom Configured handle is available upon request.

Switching Example



CYBER·TECH, Inc.

Handy-Grip *series*

1201 - RB

Options



Blank



1 Trigger



2 Trigger



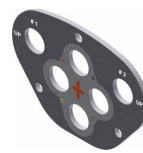
3 Trigger



Blank



6 Function



Custom

Standard Cap Color Selection

Sealed Boot Selection

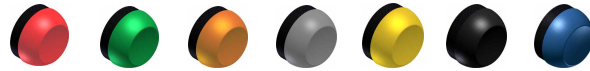
Mom SPDT



Maint SPDT



Maint DPDT



Toggle SPDT



Toggle DPDT



Std Rocker

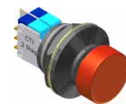


Available options:

Maintained, momentary, custom switching functions, lamps, e-switches, two stage triggers and pushbuttons, connectors and special wiring can be added; please consult CTI for further options. 1.800.621.8754



E-stop switch



2 Stage switch



Straight Stud Adaptors

14mmX1.0
10mmX1.25
1/2-13 External
12mmX1.75
14mmX2.0



Angled Stud Adaptors

1/2-13 External
10mmX1.25
12mmX1.75
14mmX2.0



Female Stud Adaptors

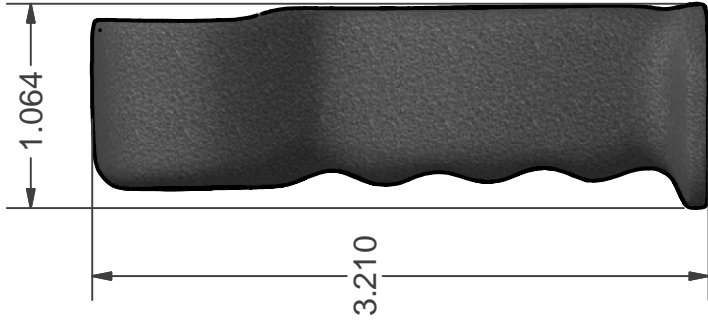
1/2-13-F 8mmX1.25-F
3/8-16-F 12mmX1.5-F
5/8-11-F 12mmX1.75-F
3/4-10-F 14mmX1.5-F
3/4-10-F 14mmX2.0-F



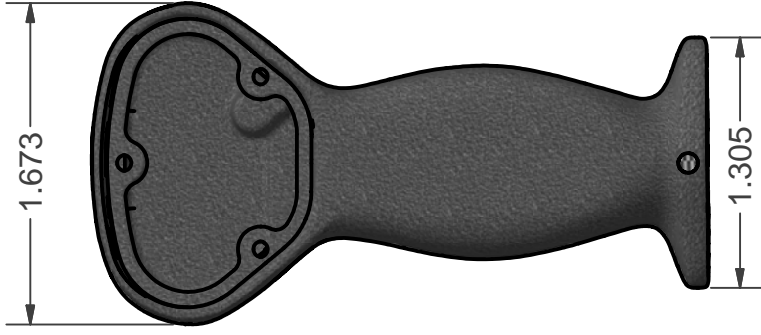
1

REVISION HISTORY			
ZONE	REV	DESCRIPTION	DATE
1	A	1201-RB	1/16/2004
			APPROVED
			Dowers

2



B



B



DRAWN	D Dowers	7/16/2003
APPROVED		
Phone:	1.800.621.8754	
Phone:	503.620.2285	
Fax:	503.620.8580	
Web:	www.cyber-tech.net	
e-mail	engineering@cyber-tech.net	

Cyber-Tech, Inc.	
TITLE	
General Dimensions	
SIZE	DWG NO
A	1201-RB
SCALE	SHEET
1/2	Aluminum
REV	
1 OF 1	

A

2

1

