



INDUSTRIAL CONTROL SOLUTIONS

Handy-Grips® Ergo-Grips® Joystick Bases

P.O. Box 23801
Portland, Or 97281-3801

7943 SW Cirrus Dr.
Beaverton, Or 97008

1-800-621-8754

The reliable Cyber-Tech, Inc. 1801-RB Handy-Grip comes standard with up to five long-life, SPDT momentary pushbuttons in the faceplate and one trigger. It is ergonomically designed for either right or left hand use and is available for both AC and DC applications. This grip was designed as a direct replacement/upgrade for the “kockums” handle sold in the 1980’s and 1990’s.

Handy-Grip *series*

The grip can be built for various applications and offers a number of custom options including: rockers, toggles, LED’s, custom faceplates and mounting adaptors. It can also be sealed to meet the requirements of most IP rated applications.



The powder coated, die cast aluminum makes the 1801-RB a true industrial control built to handle the harshest environments. For convenience, the faceplate was designed to be removed for field maintenance. Like all Cyber-Tech, Inc. control grips, the 1801-RB is backed by our lifetime guarantee. Please call our knowledgeable sales staff to determine how our product can be configured to fit your specific needs.

1801 - RB

www.cyber-tech.net

Mechanical Specifications

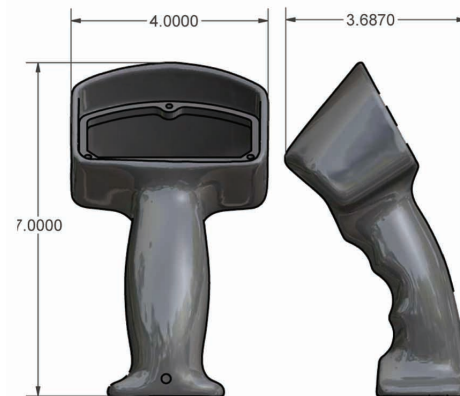
Dimensions: 17.78 cm x 10.16 cm x 9.36 cm
(7.0 in x 4.0 in x 3.687 in) (L x W x D)

Weight: 0.75 LBS (340 Grams)

Material: Aluminum

Mounting Thread: female 1/2 -13 NPT

Enclosure Type: Single piece



Electrical Specifications

Switching: 0, 1, 2, 3, 4, 5 functions

Trigger: 0, 1 function

Standard Switches: Soft touch Mom pushbutton

Switch Rating: 120vac @ 5 amps , 30vdc @ 5 amps

Switch Life: 10,000,000 cycles

Switch Locations

1801-RB is shown with all switch locations.
Handle is configured at time of order and machined accordingly. Custom switch location can be added per your layout request.



CYBER-TECH, Inc.

Control Handle Breakdown

LOCATION	PART #	DESCRIPTION
1	99-SC-6-32x3/8-BH	Button Head Cap Screw
2	99-W-6-N	Nylon Washer
3a	64-A61931-02	1801-RB Blank Faceplate
3b	64-A61931-05	1801-RB 5 SW Faceplate
3c	64-A61931-00	Custom Layout
4a	69-B61931-01	1801-RB Housing
4b	69-B61931-02	1801-RB w/Trigger Housing
5	33-R960301-01	1801-RB Gasket
6	99-SS-.25x3/16-FH	Set Screw



Note: A detail parts breakdown of your Custom Configured handle is available upon request.

Switching Example



CYBER·TECH, Inc.

Handy-Grip *series*

1801 - RB

Options

1801-RB



Blank



1 Trigger



Blank



5 Function



Custom

Standard Cap Color Selection

Sealed Boot Selection

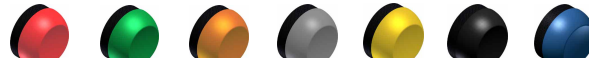
Mom SPDT



Maint SPDT



Maint DPDT



Toggle SPDT



Toggle DPDT

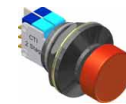


Available options:

Maintained, momentary, custom switching functions, lamps, e-switches, two stage triggers and pushbuttons, connectors and special wiring can be added; please consult CTI for further options. 1.800.621.8754



E-stop switch



2 Stage switch



Straight Stud Adaptors

- 14mmX1.0
- 10mmX1.25
- 1/2-13 External
- 12mmX1.75
- 14mmX2.0



Angled Stud Adaptors

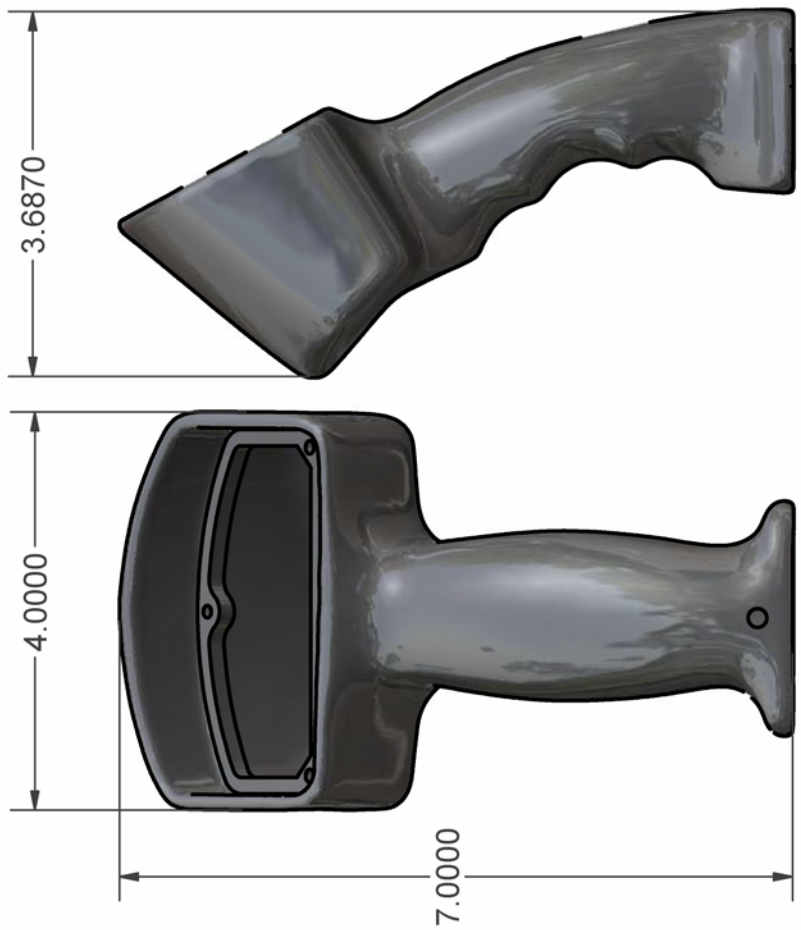
- 1/2-13 External
- 10mmX1.25
- 12mmX1.75
- 14mmX2.0



Female Stud Adaptors

- 1/2-13-F 8mmX1.25-F
- 3/8-16-F 12mmX1.5-F
- 5/8-11-F 12mmX1.75-F
- 3/4-10-F 14mmX1.5-F
- 3/4-10-F 14mmX2.0-F

REVISION HISTORY				
ZONE	REV	DESCRIPTION	DATE	APPROVED
1	A	1801-RB	7/16/2003	keith



Mechanical

Dimensions: 17.78 cm x 10.16 cm x 9.36 cm
(7.0 in x 4.0 in x 3.687 in) (L x W x D)

Weight: 0.75 LBS (340 Grams)

Material: Aluminum

Mounting Thread: female 1/2—13 NPT

Enclosure type: Single piece

DRAWN	K Dowers	7/16/2003
APPROVED		
Phone:	1.800.621.8754	
Phone:	503.620.2285	
Fax:	503.620.8580	
Web:	www.cyber-tech.net	
e-mail	engineering@cyber-tech.net	

Cyber-Tech, Inc.	
TITLE	
Description	
SIZE	DWG NO
A	1801-RB
SCALE	SHEET
1:1	P # 1.800.621.8754 Fax # 503-620-8580
	1 OF 1