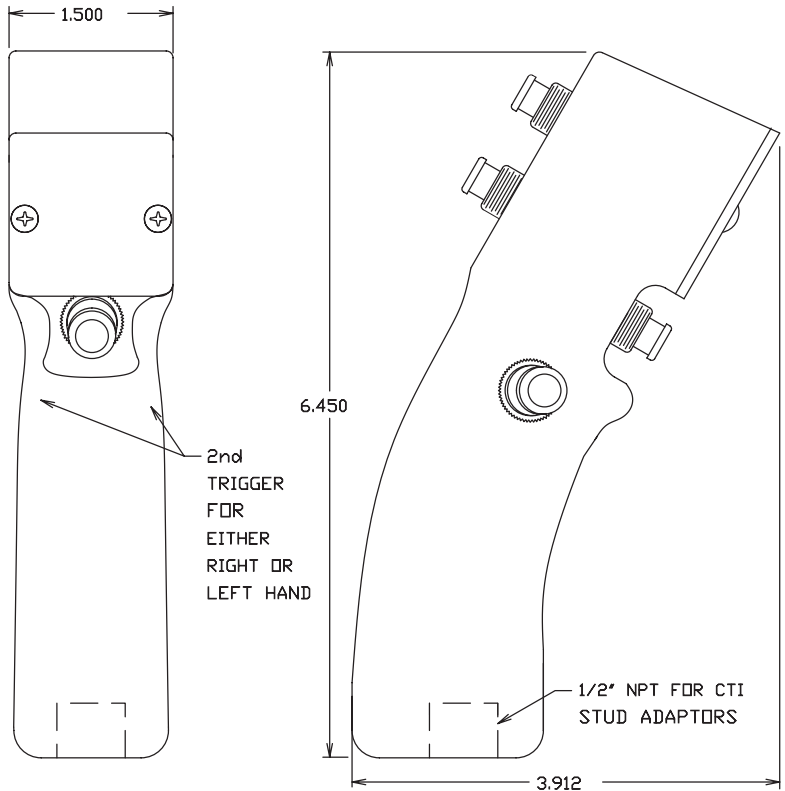


| REVISIONS | | | | |
|-----------|-----|------------------|----------|----------|
| ZONE | REV | DESCRIPTION | DATE | APPROVED |
| | A | ORIGINAL DRAWING | 9-5-2001 | |



CYBER·TECH, Inc.

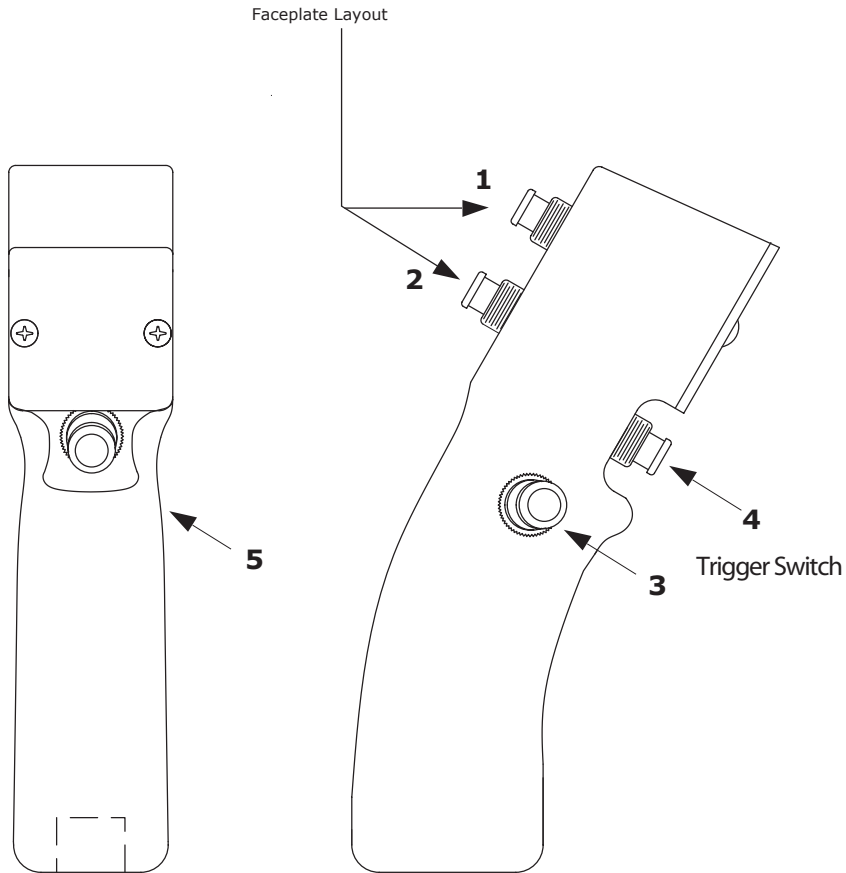
INDUSTRIAL CONTROL SOLUTIONS

www.cyber-tech.net

THIS DRAWING IS THE SOLE PROPERTY OF CYBER-TECH, INC. THIS DOCUMENT CONTAINS PROPRIETARY INFORMATION. WRITTEN PERMISSION TO USE OR DISCLOSE ANY INFORMATION HEREIN MUST BE OBTAINED FROM CYBER-TECH, INC.

| | | | | |
|--|--|--------------------------|--------------------|-----------------|
| 8501-RB HANDY-GRIP® | Handy-Grip® & Ergo-Grip® are registered trademarks of Cyber-Tech, Inc. | | | |
| | DIMENSIONAL DRAWING | | | |
| 1.800.621.8754 | SIZE | FSCM NO. 503-620-8580 | DWG NO. 8501-RB | REV N/A |
| www.cyber-tech.net | SCALE N/A | K & D DOWERS | | SHEET 1 OF 2 |

| REVISIONS | | | | |
|-----------|----------|-------------------------|-----------------|----------|
| ZONE | REV | DESCRIPTION | DATE | APPROVED |
| | A | ORIGINAL DRAWING | 9-5-2001 | |



| SWITCH LOCATIONS | 1 | 2 | 3 | 4 | 5 |
|-------------------|---|---|---|---|---|
| TOGGLE SWITCH | X | X | X | X | X |
| PUSHBUTTON SWITCH | X | X | X | X | X |


| | |
|-------------------|------------------------------|
| SPECIAL SWITCHING | CONSULT CTI (1-800-621-8754) |
| CUSTOM LOCATION | CONSULT CTI (1-800-621-8754) |

* ROCKER SWITCH USES TWO SWITCH LOCATION

FOR SEALED SWITCHING CONSULT CTI (1-800-621-8754)

8501-RB HANDY-GRIP®

THIS DRAWING IS THE SOLE PROPERTY OF CYBER-TECH, INC. THIS DOCUMENT CONTAINS PROPRIETARY INFORMATION. WRITTEN PERMISSION TO USE OR DISCLOSE ANY INFORMATION HEREIN MUST BE OBTAINED FROM CYBER-TECH, INC.

| | | | | |
|--|--|--------------------------|--------------------|-----------------|
|  <small>INDUSTRIAL CONTROL SOLUTIONS www.cybertech.net</small> | Handy-Grip® & Ergo-Grip® are registered trademarks of Cyber-Tech, Inc. | | | |
| | SWITCH LOCATION | | | |
| 1.800.621.8754 | SIZE | FSCM NO. 503-620-8580 | DWG NO. 8501-RB | REV N/A |
| www.cyber-tech.net | SCALE | N/A | K & D DOWERS | SHEET 2 OF 2 |