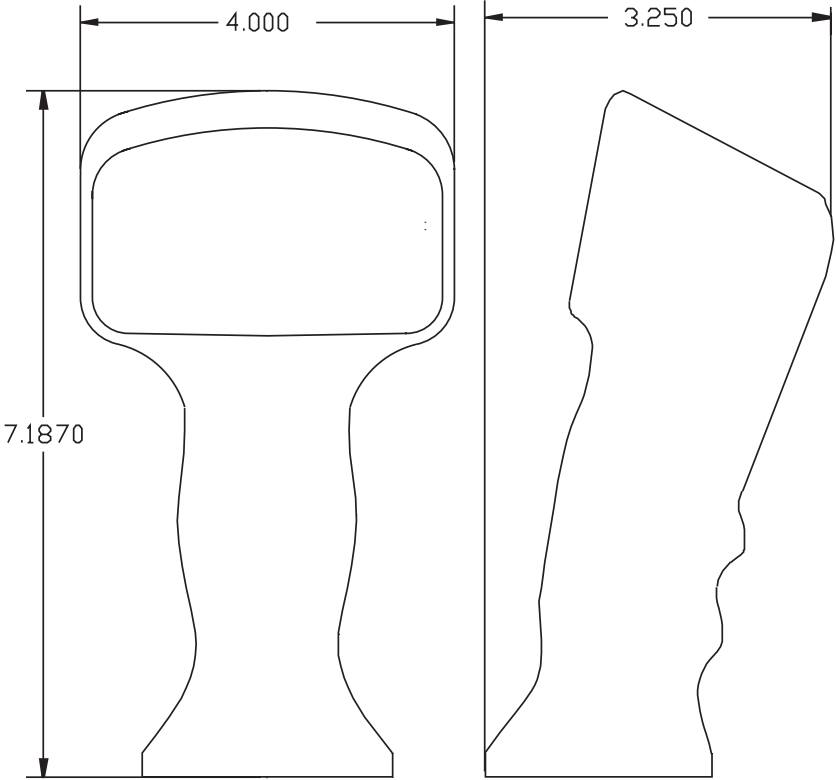


REVISIONS				
ZONE	REV	DESCRIPTION	DATE	APPROVED
	A	ORIGINAL DRAWING	9-5-2001	



**CYBER·TECH, Inc.**

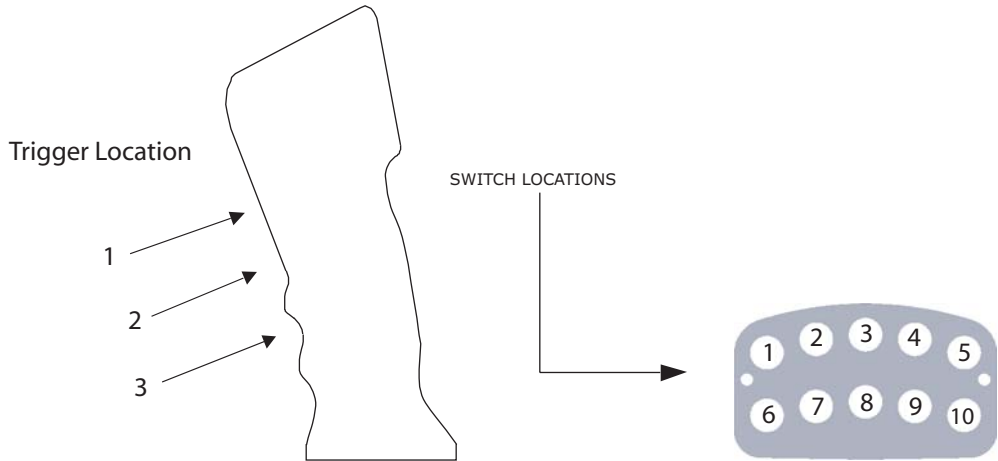
**INDUSTRIAL CONTROL SOLUTIONS**

[www.cyber-tech.net](http://www.cyber-tech.net)

**THIS DRAWING IS THE SOLE PROPERTY OF CYBER-TECH, INC. THIS DOCUMENT CONTAINS PROPRIETARY INFORMATION. WRITTEN PERMISSION TO USE OR DISCLOSE ANY INFORMATION HEREIN MUST BE OBTAINED FROM CYBER-TECH, INC.**

<b>8601-RB HANDY-GRIP®</b>	Handy-Grip® & Ergo-Grip® are registered trademarks of Cyber-Tech, Inc.			
	<b>DIMENSIONAL DRAWING</b>			
<b>1.800.621.8754</b>	SIZE	FSCM NO. 503-620-8580	DWG NO. 8601-RB	REV N/A
<a href="http://www.cyber-tech.net">www.cyber-tech.net</a>	SCALE N/A	K & D DOWERS		SHEET 1 OF 2

REVISIONS				
ZONE	REV	DESCRIPTION	DATE	APPROVED
	<b>A</b>	<b>ORIGINAL DRAWING</b>	<b>9-5-2001</b>	




SWITCH LOCATIONS	1	2	3	4	5	
	6	7	8	9	10	
TOGGLE SWITCH	X	X	X	X	X	
PUSHBUTTON SWITCH	X	X	X	X	X	
ROCKER SWITCH	CONSULT CTI (1-800-621-8754)					
SPECIAL SWITCHING	CONSULT CTI (1-800-621-8754)					
CUSTOM LOCATION	CONSULT CTI (1-800-621-8754)					

\* ROCKER SWITCH USES TWO SWITCH LOCATION

FOR SEALED SWITCHING CONSULT CTI (1-800-621-8754)

**8601-RB HANDY-GRIP®**

**THIS DRAWING IS THE SOLE PROPERTY OF CYBER-TECH, INC. THIS DOCUMENT CONTAINS PROPRIETARY INFORMATION. WRITTEN PERMISSION TO USE OR DISCLOSE ANY INFORMATION HEREIN MUST BE OBTAINED FROM CYBER-TECH, INC.**

 INDUSTRIAL CONTROL SOLUTIONS www.cybertech.net	Handy-Grip® & Ergo-Grip® are registered trademarks of Cyber-Tech, Inc.				
	<b>SWITCH LOCATION</b>				
<b>1.800.621.8754</b>	SIZE	FSCM NO. 503-620-8580	DWG NO. 8601-RB	REV N/A	
<b>www.cyber-tech.net</b>	SCALE N/A	K & D DOWERS		SHEET	2 OF 2