

JS-2050-HD

Dual Axes Contact Joystick With 1/2 NPT Adaptor



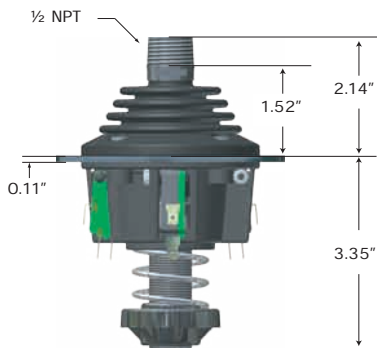
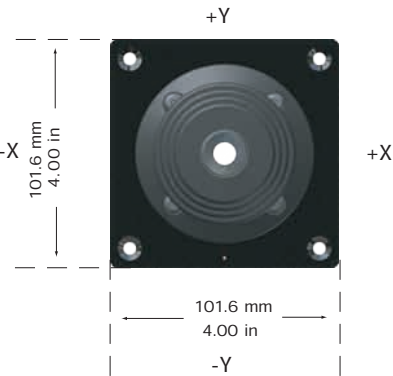
Control Unit Features:

- Contact Rating: 16 Amps@125/250 vAC
- Standard Wiring N.O.
- Compact footprint/profile
- 6lbs @ Contact (On X/Y Axes)
- 4 Ft Cable Harness
- Single Center Spring
- Protective Boot Seal
- Low parts count

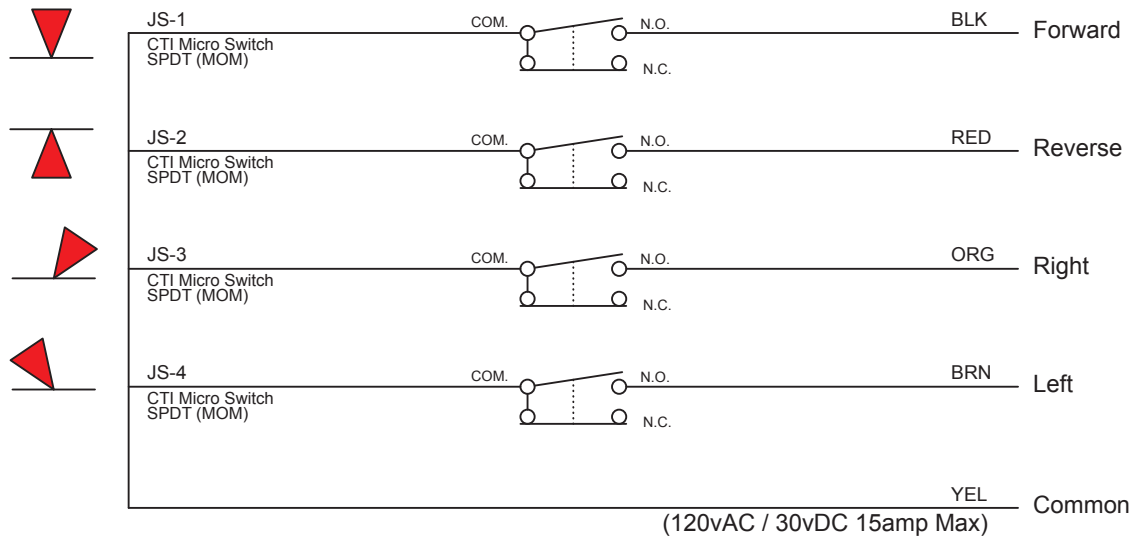
CTI PART# : CTI-2021450

Product shown without cable harness for clarity

GENERAL DIMENSIONS



Product shown without switches for clarity



Spare Replacment Components For Part # CTI-2021450

Cable Harness: **22-C-NQ520-J-4**

Adaptor: **28-040039-01**

Fwd/Rev Switch: **32-S-V3L-G-3003-D8**

Lt/Rt Switch: **32-S-V3L-G-3003-D8**

Protective Boot: **33-BSB-020179-01**

Center Spring: **14-S-3747**

Spring Tension Nut: **63-960408-01**

Control Stick: **71-010141-02**

