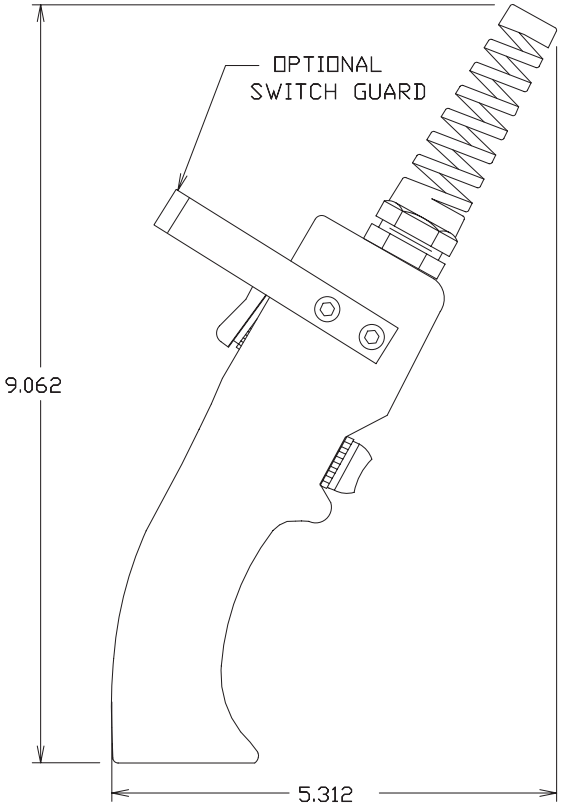


REVISIONS				
ZONE	REV	DESCRIPTION	DATE	APPROVED
	<b>A</b>	<b>ORIGINAL DRAWING</b>	<b>9-5-2001</b>	



**CYBER·TECH, Inc.**

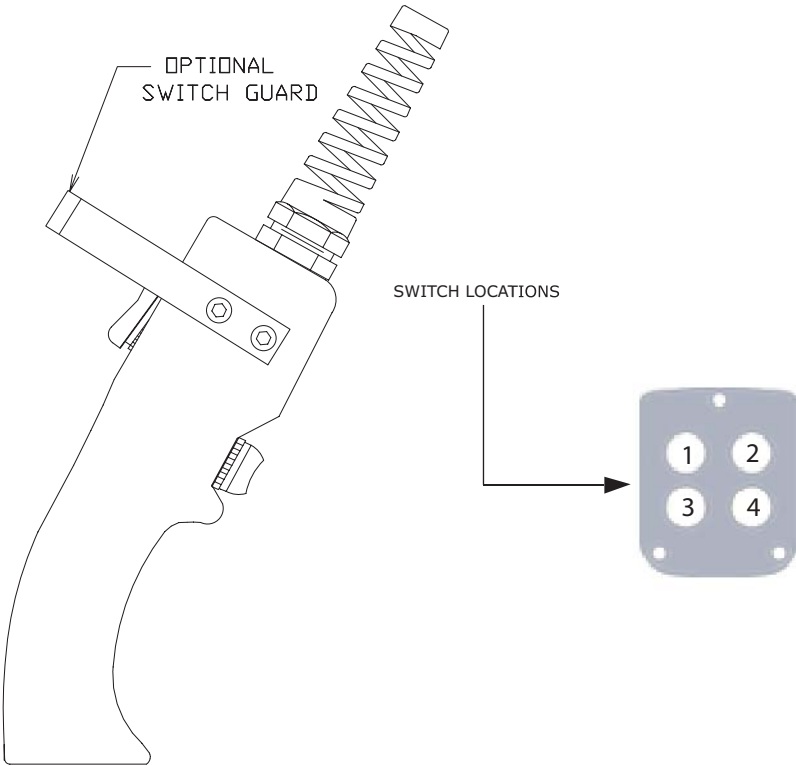
**INDUSTRIAL CONTROL SOLUTIONS**

**www.cyber-tech.net**

**THIS DRAWING IS THE SOLE PROPERTY OF CYBER-TECH, INC. THIS DOCUMENT CONTAINS PROPRIETARY INFORMATION. WRITTEN PERMISSION TO USE OR DISCLOSE ANY INFORMATION HEREIN MUST BE OBTAINED FROM CYBER-TECH, INC.**

<b>PDT-701-C</b> <b>PENDENT-GRIP</b>	Handy-Grip® & Ergo-Grip® are registered trademarks of Cyber-Tech, Inc.			
	<b>DIMENSIONAL DRAWING</b>			
<b>1.800.621.8754</b>	SIZE	FSCM NO. 503-620-8580	DWG NO. PDT-701-C	REV N/A
<b>www.cyber-tech.net</b>	SCALE N/A	K & D DOWERS		SHEET 1 OF 2

REVISIONS				
ZONE	REV	DESCRIPTION	DATE	APPROVED
	<b>A</b>	<b>ORIGINAL DRAWING</b>	<b>9-5-2001</b>	



SWITCH LOCATIONS	1	2	3	4	
TOGGLE SWITCH	X	X	X	X	
PUSHBUTTON SWITCH	X	X	X	X	
ROCKER SWITCH	*		*		
SPECIAL SWITCHING	CONSULT CTI (1-800-621-8754)				
CUSTOM LOCATION	CONSULT CTI (1-800-621-8754)				

\* ROCKER SWITCH USES TWO SWITCH LOCATION

FOR SEALED SWITCHING CONSULT CTI (1-800-621-8754)

**PDT-701-C PENDENT-GRIP**

**THIS DRAWING IS THE SOLE PROPERTY OF CYBER-TECH, INC. THIS DOCUMENT CONTAINS PROPRIETARY INFORMATION. WRITTEN PERMISSION TO USE OR DISCLOSE ANY INFORMATION HEREIN MUST BE OBTAINED FROM CYBER-TECH, INC.**

 <small>INDUSTRIAL CONTROL SOLUTIONS www.cybertech.net</small>	Handy-Grip® & Ergo-Grip® are registered trademarks of Cyber-Tech, Inc.			
	<b>SWITCH LOCATION</b>			
<b>1.800.621.8754</b>	SIZE <small>FSCM NO. 503-620-8580</small>	DWG NO. <small>PDT-701-C</small>	REV <small>N/A</small>	
<b>www.cyber-tech.net</b>	SCALE <small>N/A</small>	<small>K &amp; D DOWERS</small>	SHEET <small>2 OF 2</small>	