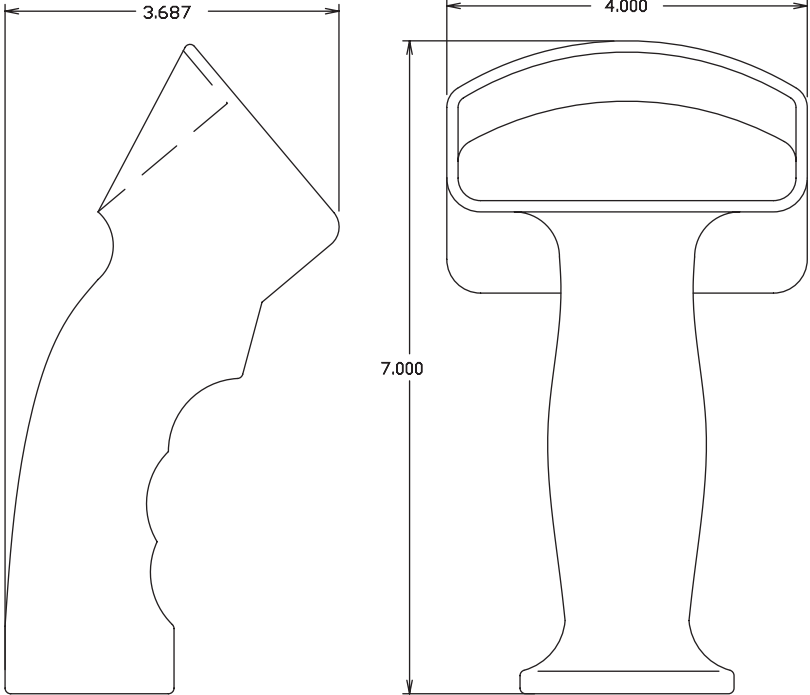


REVISIONS				
ZONE	REV	DESCRIPTION	DATE	APPROVED
	A	ORIGINAL DRAWING	9-5-2001	



CYBER-TECH, Inc.

INDUSTRIAL CONTROL SOLUTIONS

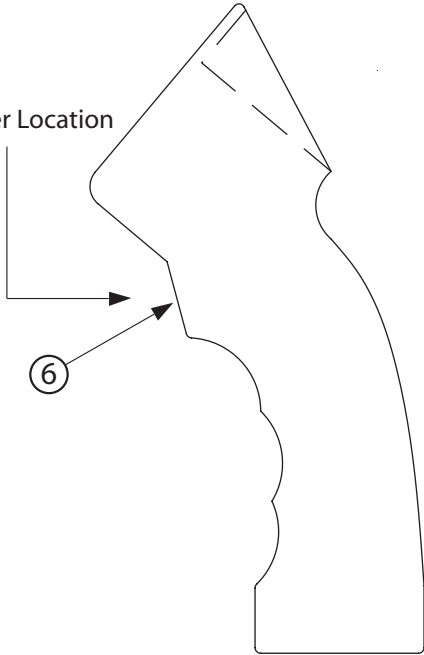
www.cyber-tech.net

THIS DRAWING IS THE SOLE PROPERTY OF CYBER-TECH, INC. THIS DOCUMENT CONTAINS PROPRIETARY INFORMATION. WRITTEN PERMISSION TO USE OR DISCLOSE ANY INFORMATION HEREIN MUST BE OBTAINED FROM CYBER-TECH, INC.

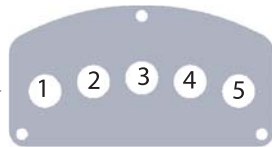
PDT-801-C PENDENT-GRIP	Handy-Grip® & Ergo-Grip® are registered trademarks of Cyber-Tech, Inc.			
	DIMENSIONAL DRAWING			
1.800.621.8754	SIZE	FSCM NO. 503-620-8580	DWG NO. PDT-801-C	REV N/A
www.cyber-tech.net	SCALE N/A	K & D DOWERS		SHEET 1 OF 2

REVISIONS				
ZONE	REV	DESCRIPTION	DATE	APPROVED
	A	ORIGINAL DRAWING	9-5-2001	

Trigger Location



SWITCH LOCATIONS



SWITCH LOCATIONS	1	2	3	4	5	6
TOGGLE SWITCH	X	X	X	X	X	X
PUSHBUTTON SWITCH	X	X	X	X	X	X
ROCKER SWITCH	X*			X*		
SPECIAL SWITCHING	CONSULT CTI (1-800-621-8754)					
CUSTOM LOCATION	CONSULT CTI (1-800-621-8754)					

* ROCKER SWITCH USES TWO SWITCH LOCATION

FOR SEALED SWITCHING CONSULT CTI (1-800-621-8754)

PDT-801-C PENDENT-GRIP

THIS DRAWING IS THE SOLE PROPERTY OF CYBER-TECH, INC. THIS DOCUMENT CONTAINS PROPRIETARY INFORMATION. WRITTEN PERMISSION TO USE OR DISCLOSE ANY INFORMATION HEREIN MUST BE OBTAINED FROM CYBER-TECH, INC.

 <small>INDUSTRIAL CONTROL SOLUTIONS www.cybertech.net</small>	Handy-Grip® & Ergo-Grip® are registered trademarks of Cyber-Tech, Inc.				
	SWITCH LOCATION				
1.800.621.8754	SIZE	FSCM NO. 503-620-8580	DWG NO. PDT-801-C	REV N/A	
www.cyber-tech.net	SCALE N/A	K & D DOWERS		SHEET	2 OF 2