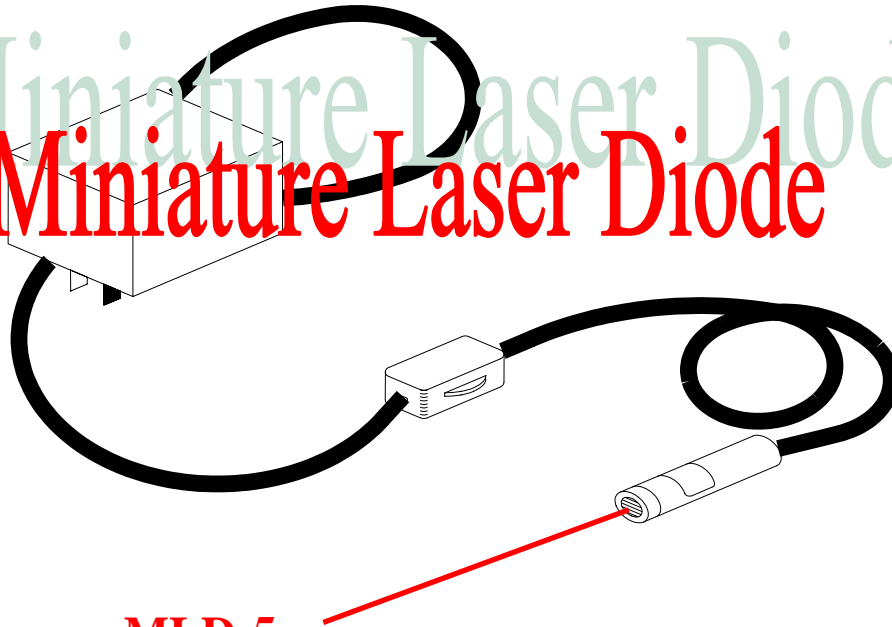


Miniature Laser Diode

Miniature Laser Diode



MLD-5

Classification: Class IIIa
Wave Length: 635nm
Collimating: 5mW Fixed at 48"

With many years of industrial laser manufacturing experience, LACEY-HARMER is proud to offer low cost Miniature Laser Diodes (MLD) 635-5mW Red Line Generator and Dot.

- Low Cost Laser
- Maintenance Free
- Small Package
- Self-Contained
- Reliable
- 12-Month Warranty

ALSO AVAILABLE FOR MITER SAW RETROFIT

DANGER	Class IIIa Laser Product Wavelength 630-680nm 4.5mW Max.	Serial Number 9999
LASER LIGHT AVOID DIRECT EXPOSURE AVOID EXPOSURE - Laser Light Emitted From This Aperture Lacey-Harmer Co., 4270 NW Yeon Avenue., Portland, OR 97210 Ph. (503) 222-9992	This product conforms to all applicable standards of 21CFR Part 1000.	

L A C E Y - H A R M E R C O.

4270 NW YEON AVE • PORTLAND, OREGON 97210
PH. 503/222-9992 • 800/367-9992 • FAX 503/222-0073

www.laceyharmer.com

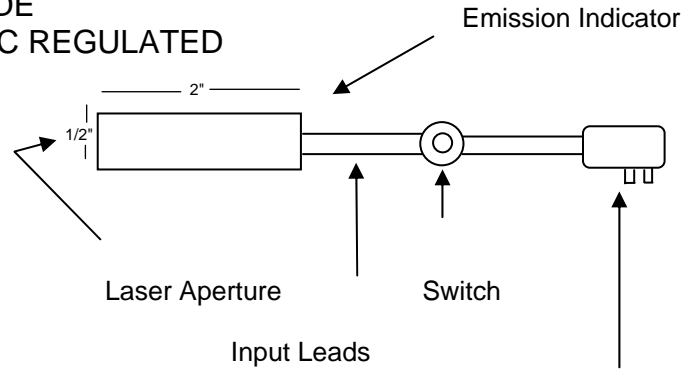




LACEY-HARMER CO.

4270 NW YEON AVENUE PORTLAND, OREGON 97210 PH. 503/222-9992 800/367-9992 FAX 503/222-0073

MLD MINIATURE LASER DIODE OPERATING VOLTAGE: 5VDC REGULATED



Output Power: <5mW
Classification: Class IIIa
Wavelength: 635nm
Collimating: 5mW Fixed at 48"

Regulated 5 VDC
Power Supply

Wiring/Installation Warnings:

1. The miniature laser diode is already wired to a regulated DC adapter via push on/push off switch. Any modification or change in the wiring shall invalidate the warranty. To prevent any permanent damage to the unit, please pay attention to the following warnings.
2. Always plug in the power supply prior to turning on the switch.
3. Always turn the laser off via the switch prior to unplugging the power supply.
4. Do not pull or apply pressure to the input power leads connected to the miniature laser diode.

Handling/Storage: Electrostatic Sensitive, handle with care.

Maintenance: The miniature laser diode is maintenance free. To clean the lens use clean dry air pressure. Do not use any cleaning solution.

Warranty: 12 month warranty from the purchased date.

The MLD is warranted to be without defects in parts and workmanship. Obligation under this warranty is limited to repairing or replacing any laser source found to be operating improperly, at the discretion of Lacey-Harmer. This warranty is in effect so long as there have been no alterations, intentional abuse, improper use, or failure to follow proper care and maintenance. To obtain repair or replacement under the terms of this warranty, simply contact Lacey-Harmer at:

Lacey-Harmer Co. 4270 NW Yeon Avenue Portland, OR 97210 USA	Phone: (503) 222-9992 / (800) 367-9992 Fax: (503) 222-0073 Internet: www.laceyharmer.com
---	---

Note: This product conforms to all applicable standards of 21CFR Part 1000 and has gone through multiple Quality Control Tests prior to its shipment. It is guaranteed to be operational at the time of purchase.

KEEP OUT OF THE REACH OF CHILDREN

ANGER	Class IIIa Laser Product Wavelength 630-680nm 4.5mW Max.	Serial Number 9999
LASER LIGHT AVOID DIRECT EXPOSURE AVOID EXPOSURE - Laser Light Emitted From This Aperture Lacey-Harmer Co., 4320 NW St. Helens Rd., Portland, OR 97210 Ph. (503) 222-9992	This product conforms to all applicable standards of 21CFR Part 1000.	