

# EM1450 Mount

## WALL MOUNT, LIGHT DUTY, ENCLOSURE

### Product Features

- Light Duty Wall Mount
- Maximum Load 20 Pounds (9 kg)
- For Use with EH3500 Series Enclosures
- Adjustable Head for Mechanical Positioning of the Enclosure
- Can Be Adapted for Pole Mount Applications With Use of PA101 Adapter

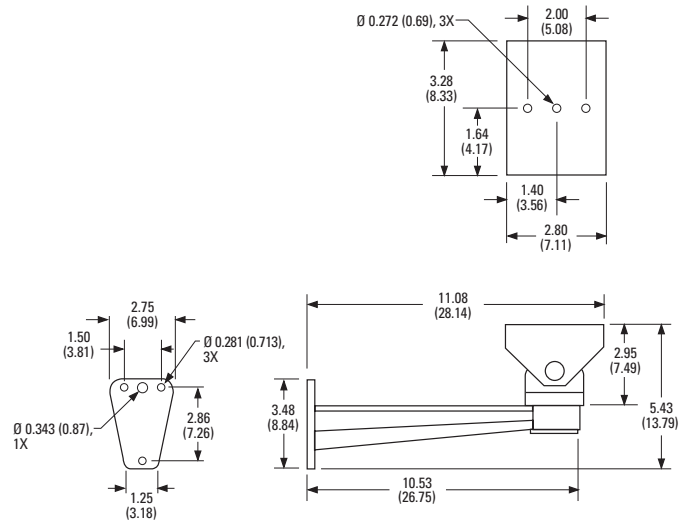


The **EM1450** is a light duty wall mount designed specifically for use with Pelco's EH3500 Series enclosures.

Manufactured from die-cast aluminum, the **EM1450** is capable of supporting a maximum load of 20 pounds (9 kg) and can be safely mounted to any vertical load-bearing surface.

Similar in design to our EM1400 mount, the **EM1450** features a smaller adjustable mounting head that is less obtrusive and provides ample clearance between the cable feedthrough glands and the mounting head.

The **EM1450** can also be adapted for pole mount applications when used with our PA101 adapter.



NOTE: VALUES IN PARENTHESES ARE CENTIMETERS; ALL OTHERS ARE INCHES.



# TECHNICAL SPECIFICATIONS

## MODEL

EM1450

Light duty wall mount for use with EH3500 series enclosures

## RELATED PRODUCT

PA101

Pole mount adapter for EM1450 mount. Stainless steel straps supplied. Straps fit 3-inch (7.62 cm) to 8-inch (20.32 cm) diameter pole.

## MECHANICAL

Pan Adjustment

360°

Tilt Adjustment

±75°

## GENERAL

Suggested

Mounting Method

Secure to wall with three 1/4-inch diameter fasteners (not supplied) or use one 5/16-inch diameter and one 1/4-inch diameter fastener for center mount holes in applications where wall studs are encountered

Enclosure Mounting

Two 1/4-20 x 0.500 hex head machine screws (supplied)

Maximum Load

20 lb (9 kg)

Construction

Die-cast aluminum

Finish

Gray polyester powder coat

Environment

Indoor/outdoor

Unit Weight

EM1450

2 lb (0.90 kg)

PA101

0.88 lb (0.40 kg)

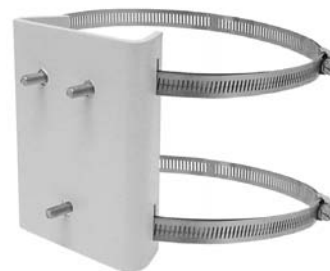
Shipping Weight

EM1450

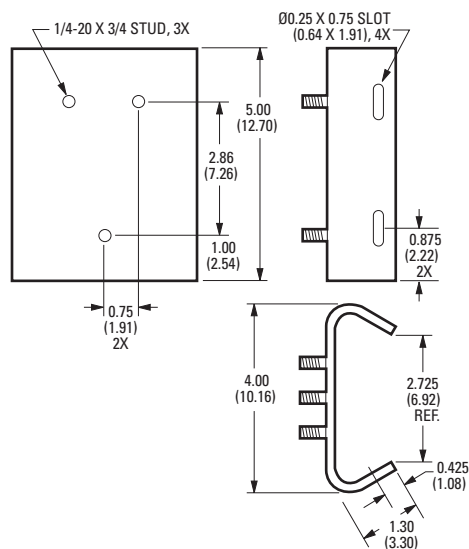
3 lb (1.36 kg)

PA101

2 lb (0.90 kg)



PA101 POLE ADAPTER



NOTE: VALUES IN PARENTHESES ARE CENTIMETERS; ALL OTHERS ARE INCHES.



**Pelco Worldwide Headquarters:**

3500 Pelco Way, Clovis, California 93612-5699 USA

**USA & Canada** Tel: (800) 289-9100 • FAX (800) 289-9150

**International** Tel: (559) 292-1981 • FAX (559) 348-1120

[www.pelco.com](http://www.pelco.com)

Pelco and the Pelco logo are registered trademarks of Pelco. Specifications subject to change without notice. ©Copyright 2006, Pelco. All rights reserved.