

SMC-145

14" 400TV Lines CRT Monitor



Summary

SMC-145 is a 14" color monitor housed in a metal case featuring video and audio looping. This color monitor features a sturdy construction and is specifically designed and built for video security applications.

The monitor delivers crisp, high quality video images on a 14" CRT. SMC-145 is equipped with an auto-sensing universal power supply and supports NTSC and PAL modes. Automatic 75 Ohm termination and on screen display programming make this monitor an ideal choice for security systems integration. SMC monitor series by SAMSUNG Electronics are world renowned for their high quality video image.

Features

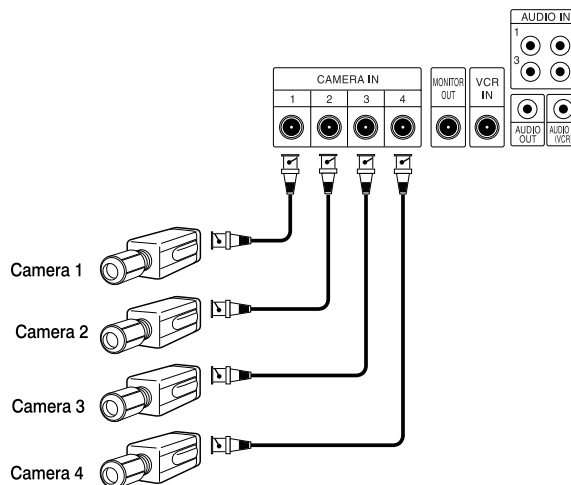
- 14" CRT monitor
- 400TV Lines Resolution
- 4 channel Camera Input
- 4 channel Audio Input, 1 channel Audio Output
- Auto-sensing of NTSC/PAL Modes
- Auto Switching Sequence With Interval Selection
- Rugged Metal Cabinet

Durable Metal Case

SMC-145 features a metal case, sturdy construction and is designed and built as a video security monitor.

4 BNC Video

The SMC-145 has four BNC Video inputs and is able to connect up to four separate cameras.



SMC-145



SAMSUNG SECURITY | Toll Free: 888-595-2288 | Fax: 972-245-7333
This product specifications and manual are also available in pdf format at www.samsung-security.com
The information is subject to change without notice - v5.18.10

SMC-145

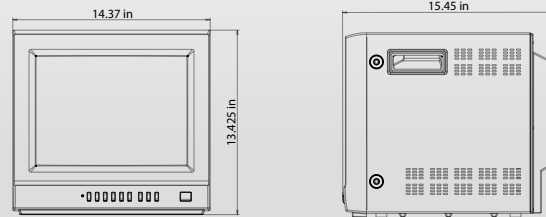
14" 400TV Lines CRT Monitor



Specifications

CRT	14" Diagonal
Video In/Out	4 Channel Input / 1 Channel Output VCR INPUT 1.0Vp-p BNC Jack
Audio In/Out	4 Channel Input / 1 Channel Output VCR Input RCA Jack
Power Source	Control Range of main section 90V-240V or "Indicated on the rear of the MONITOR set"
Power Consumption	80W
Dimensions (WxHxD)	14.37 x 15.28 x 13.425 in (365 x 388 x 341mm) (without packing)
Net Weight	About 24.25lbs (11kg)
Resolutions	400TV lines
Video System	Multiple system (NTSC/PAL)
Horizontal Stabilization	Pull in Range \pm 500Hz Holding Range \pm 500Hz
Vertical Stabilization	Pull in Range \pm 4Hz Holding Range \pm 4Hz
Sub Carrier Stabilization	Pull in Range \pm 400Hz Holding Range \pm 400Hz
Speaker Output	1.5 Watts
Convergence	Less than 0.008" (0.2mm) Max (Center)
Overscan	10%
Operating Temperature	14°F ~ 122°F (-10°C ~ +50°C)
Operating Humidity	10 ~ 90% (Non-condensing)

Dimensions (unit : in) Front/Rear Panel



Certifications



SMC-145



SAMSUNG SECURITY | Toll Free: 888-595-2288 | Fax: 972-245-7333
This product specifications and manual are also available in pdf format at www.samsung-security.com
The information is subject to change without notice - v5.18.10